

Flex Tap II

The Keysight Flex Tap II provide reliable continuous visibility of 100% of network traffic to support performance and security with no network performance degradation or disruption. Flex Tap II are flexible and scalable, each Tap in the family is modular, can supports speeds up to 400G, and is 100 percent passive. Flex Tap II are available in multimode and single mode fiber varieties with split ratios ranging from 50/50 up to 90/10. Up to 24 taps can be deployed in a single 1U 19inch rack space.

The design of the Flex Tap II is optimized and tested for high-performance fiber networks ranging from 1G to 400G. Flex Tap II are deployed at any inline connection on the network; therefore, no additional overhead or management burden is added to the network devices to copy traffic for the monitoring/security infrastructure. The Flex Tap II is compatible with all major manufacturers' monitoring devices, including protocol analyzers, probes, and intrusion detection systems, and is protocol agnostic.



Figure 1. Keysight Flex Tap II

Highlights

- Highly reliable fiber optic Tap technology
- OM5 Multimode Fiber
- VFL shutter adaptors for quick identification fiber cut issues and dust protection
- Supports network speeds from 1G to 400G
- Available in multimode and single mode fiber models
- Deploy up to 24 Taps in 1U
- Choice of standard size rack mount (up to 24 taps) or mini-chassis which is one third width - ideal for desktop or space constrained deployments
- Passes all full-duplex traffic (including errors) from all layers
- Non-disruptive and transparent
- Requires no power and does not have an IP address, providing safety from remote attacks
- Standardized connector colors for ease of deployment
 - Blue LC connectors for Single Mode Taps
 - Lime Green LC connectors for OM5 Multimode Taps
 - Aqua LC connectors for OM4 Multimode Taps
 - Beige LC connectors for monitoring
- Designed in Austin, Texas. USA

Key Features

- Low insertion loss – minimize impact on data flows
- Flex Tap II is fully passive – monitoring infrastructure does not impact network availability
- Does not modify traffic – tools see real copies of the packets from the network
- Cost effective – avoid costly expenses managing SPAN ports

Tap Families



Figure 2. 1-400G Single mode Flex Tap II



Figure 3. 1-100G Multi mode Flex Tap II



Figure 4. 1G Multimode Flex Tap II



Figure 5. Rackmount- RK-Flex-24

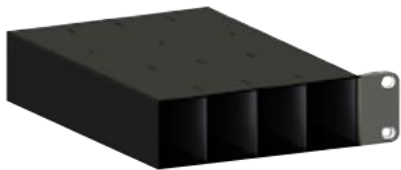
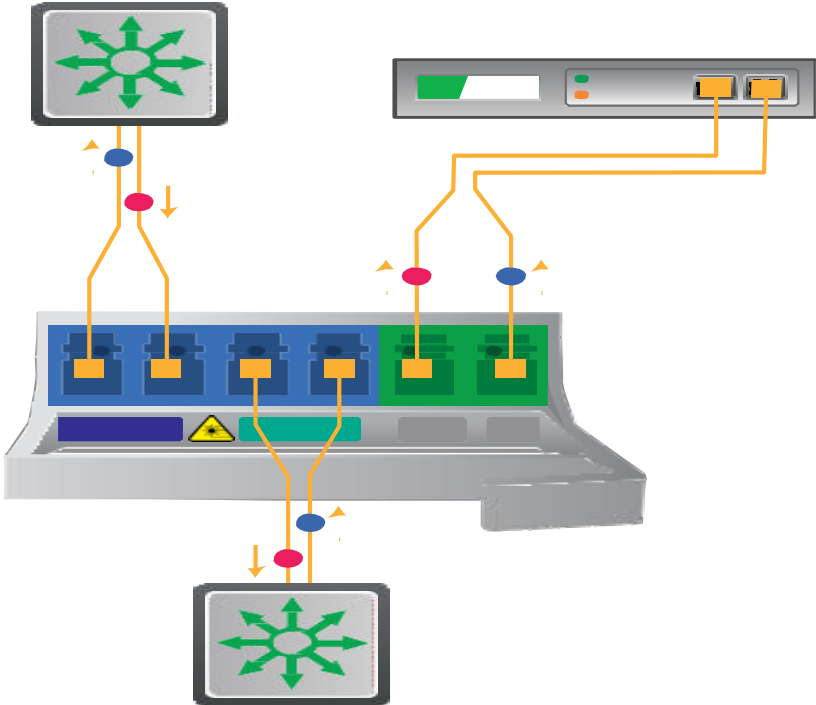


Figure 6. Mini Rackmount- RK-Flex-8



Figure 7. Populated Rackmount

LC Tap Deployment



Specifications

Model	Part numbers	Split ratio/Insertion loss (Net-Net/Net-Mon) @1310nm	Fiber Specs	Connectors	Speed/Protocol	Taps in 1U	Y cable Kit
LC Taps	FTII-SM-LC-50	50/50: 3.7 dB/3.7dB	Single Mode: 8.5/125µm 1310nm/1550 nm +/- 40nm	Network Ports: 2 x Duplex LC	1G, 10G, 25G, 40G, 50G, 100G and 400G	1-24	705-0014-001
	FTII-SM-LC-60	60/40: 2.8 dB/4.8 dB					
	FTII-SM-LC-70	70/30: 2.0 dB/6.1 dB					
	FTII-SM-LC-80	80/20: 1.3 dB/8.0 dB					
	FTII-SM-LC-90	90/10: 0.8 dB/12.0 dB		Monitoring Ports: 1 x Duplex LC			
	FTII-MM-LC-50	50/50: 3.9 dB/3.9 dB	OM5 Multimode: 50/125 µm; 850nm (range: 830nm to 950nm)	Network Ports: 2 x Duplex LC	1G, 10G, 25G, 50G, 100G	1-24	705-0012-001
	FTII-MM-LC-60	60/40: 2.9 dB/4.9 dB					
	FTII-MM-LC-70	70/30: 2.2 dB/6.1 dB					
	FTII-MM-LC-80	80/20: 1.6 dB/7.9 dB		Monitoring Ports: 1 x Duplex LC			
	FTII-MM-LC-50-1G	50/50: 4.5 dB/4.5 dB	Multimode: 50/125µm; 850nm +/-40nm	Network Ports: 2 x Duplex LC	1G SX	1-24	705-0012-001
	FTII-MM-LC-60-1G	60/40: 3.1 dB/5.1 dB					
	FTII-MM-LC-70-1G	70/30: 2.4 dB/6.3 dB		Monitoring Ports: 1 x Duplex LC			

General Specifications

Operating
Operating Temperature: 0° to 40°C
Storage Temperature: -10° to 70°C
Relative Humidity: 10% min, 95% max, non-condensing

Mechanical
LC Flex Tap II SM and MM: 1.6" High x 7.8" Deep x 0.7" Wide (inches)/ 4.1 H x 19.8 D x 1.78 W (cm)
Standard Rack Dimensions: 1.7" High x 8.4" Deep x 19" Wide (inches)/ 4.3 H x 21.3 D x 48.3 W (cm)
Mini Rack Dimensions: 1.7" High x 8.4" Deep x 5.7" Wide (inches)/ 4.3 H x 21.3 D x 14.5 W (cm)

Certifications
Fully RoHS-compliant
Safety Certifications: UKCA, CE

Part Numbers and Description

Part number	Short Description	Long Description
FTII-SM-LC-50	Keysight Flex Tap II, SM 1-400G LC 50/50 Split Ratio (955-9903)	Keysight Flex Tap II Fiber Tap. Multi-speed 1-400G, LR/ER, 8.5um, LC UPC, 50/50 split ratio, 1260-1340nm and 1530-1565nm nominal wavelengths. Use RK-FLEX-24, RK-FLEX-ID-24, or RK-FLEX-8 rack mounts. Does not include Y cable. If Y cable required, order 705-0014-001 separately.
FTII-SM-LC-60	Keysight Flex Tap II, SM 1-400G LC 60/40 Split Ratio (955-9912)	Keysight Flex Tap II Fiber Tap. Multi-speed 1-400G, LR/ER, 8.5um, LC, 60/40 split ratio, 1260-1340 and 1530-1565nm nominal wavelengths. Use RK-FLEX-24, RK-FLEX-ID-24, or RK-FLEX-8 rack mounts. Does not include Y cable. If Y cable required, order 705-0014-001 separately.
FTII-SM-LC-70	Keysight Flex Tap II, SM 1-400G LC 70/30 Split Ratio (955-9904)	Keysight Flex Tap II Fiber Tap. Multi-speed 1-400G, LR/ER, 8.5um, LC UPC, 70/30 split ratio, 1260-1340nm and 1530-1565nm nominal wavelengths. Use RK-FLEX-24, RK-FLEX-ID-24, or RK-FLEX-8 rack mounts. Does not include Y cable. If Y cable required, order 705-0014-001 separately.
FTII-SM-LC-80	Keysight Flex Tap II, SM 1-400G LC 80/20 Split Ratio (955-9913)	Keysight Flex Tap II Fiber Tap. Multi-speed 1-400G, LR/ER, 8.5um, LC, 80/20 split ratio, 1260-1340nm and 1530-1565nm nominal wavelengths. Use RK-FLEX-24, RK-FLEX-ID-24, or RK-FLEX-8 rack mounts. Does not include Y cable. If Y cable required, order 705-0014-001 separately.
FTII-SM-LC-90	Keysight Flex Tap II, SM 1-400G LC 90/10 Split Ratio (955-9914)	Keysight Flex Tap II Fiber Tap. Multi-speed 1-400G, LR/ER, 8.5um, LC, 90/10 split ratio, 1260-1340nm and 1530-1565nm nominal wavelengths. Use RK-FLEX-24, RK-FLEX-ID-24, or RK-FLEX-8 rack mounts. Does not include Y cable. If Y cable required, order 705-0014-001 separately.
FTII-MM-LC-50	Keysight Flex Tap II, MM 1-100G LC 50/50 Split Ratio (955-9905)	Keysight Flex Tap II Fiber Tap. Multi-speed 1-100G, SR, 50um OM5, LC UPC, 50/50 split ratio, 830-950nm nominal wavelength. Use RK-FLEX-24, RK-FLEX-ID-24, or RK-FLEX-8 rack mounts. Does not include Y cable. If Y cable required, order 705-0012-001 separately.
FTII-MM-LC-60	Keysight Flex Tap II, MM 1-100G LC 60/40 Split Ratio (955-9918)	Keysight Flex Tap II Fiber Tap. Multi-speed 1-100G, SR, 50um OM5, LC UPC, 60/40 split ratio, 830-950nm nominal wavelength. Use RK-FLEX-24, RK-FLEX-ID-24, or RK-FLEX-8 rack mounts. Does not include Y cable. If Y cable required, order 705-0012-001 separately.

Part number	Short Description	Long Description
FTII-MM-LC-70	Keysight Flex Tap II, MM 1-100G LC 70/30 Split Ratio (955-9906)	Keysight Flex Tap II Fiber Tap. Multi-speed 1-100G, SR, 50um OM5, LC UPC, 70/30 split ratio, 830-950nm nominal wavelength. Use RK-FLEX-24, RK-FLEX-ID-24, or RK-FLEX-8 rack mounts. Does not include Y cable. If Y cable required, order 705-0012-001 separately.
FTII-MM-LC-80	Keysight Flex Tap II, MM 1-100G LC 80/20 Split Ratio (955-9919)	Keysight Flex Tap II Fiber Tap. Multi-speed 1-100G, SR, 50um OM5, LC, 80/20 split ratio, 830-950nm nominal wavelength. Use RK-FLEX-24, RK-FLEX-ID-24, or RK-FLEX-8 rack mounts. Does not include Y cable. If Y cable required, order 705-0012-001 separately.
FTII-MM-LC-50-1G	Keysight Flex Tap II, MM 1G LC 50/50 Split Ratio (955-9927)	Keysight Flex Tap II Fiber Tap. Single speed 1G, SR, 50um, LC UPC, 50/50 split ratio, 850nm nominal wavelength. Use RK-FLEX-24, RK-FLEX-ID-24, or RK-FLEX-8 rack mounts. Does not include Y cable. If Y cable required, order 705-0012-001 separately.
FTII-MM-LC-60-1G	Keysight Flex Tap II, MM 1G LC 60/40 Split Ratio (955-9928)	Keysight Flex Tap II Fiber Tap. Single speed 1G, SR, 50um, LC UPC, 60/40 split ratio, 850nm nominal wavelength. Use RK-FLEX-24, RK-FLEX-ID-24, or RK-FLEX-8 rack mounts. Does not include Y cable. If Y cable required, order 705-0012-001 separately.
FTII-MM-LC-70-1G	Keysight Flex Tap II, MM 1G LC 70/30 Split Ratio (955-9929)	Keysight Flex Tap II Fiber Tap. Single speed 1G, SR, 50um, LC UPC, 70/30 split ratio, 850nm nominal wavelength. Use RK-FLEX-24, RK-FLEX-ID-24, or RK-FLEX-8 rack mounts. Does not include Y cable. If Y cable required, order 705-0012-001 separately.

Keysight enables innovators to push the boundaries of engineering by quickly solving design, emulation, and test challenges to create the best product experiences. Start your innovation journey at www.keysight.com.